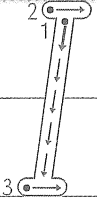

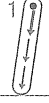
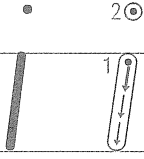
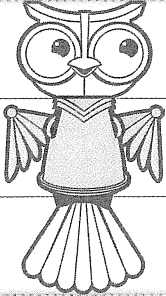
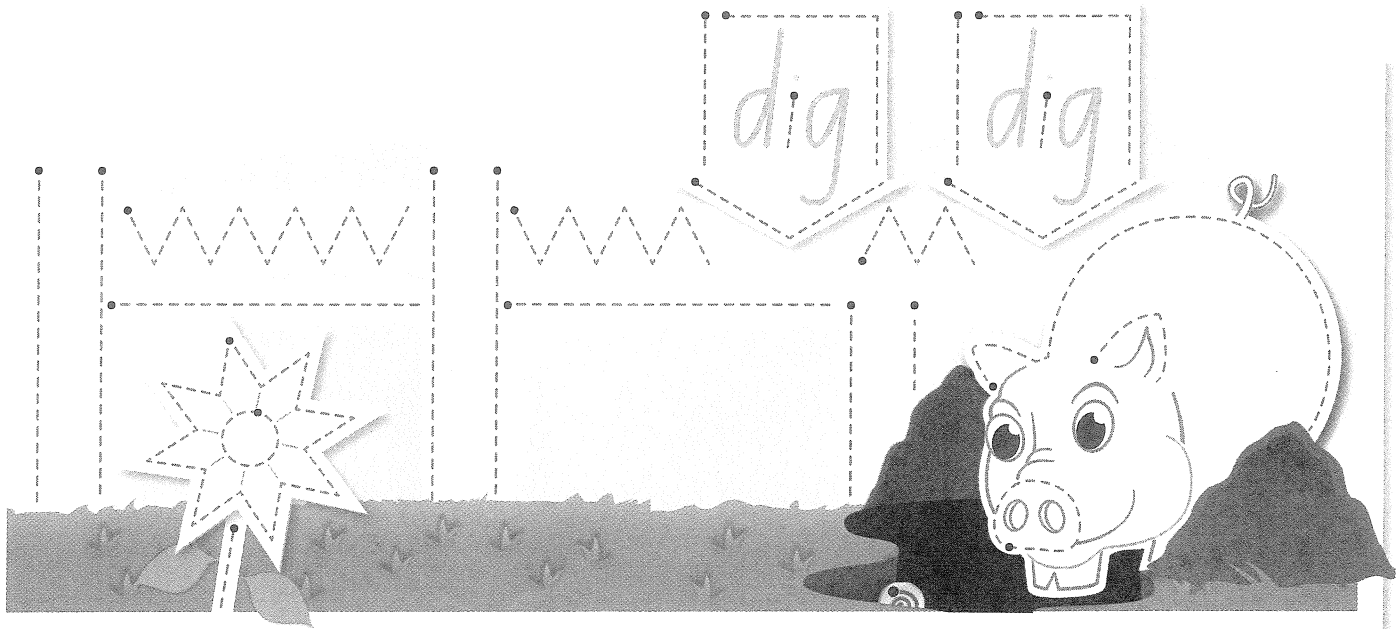




Body

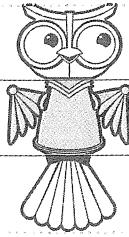


Tracing practice for lowercase 'i' and uppercase 'I' on a three-line grid.

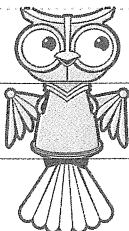


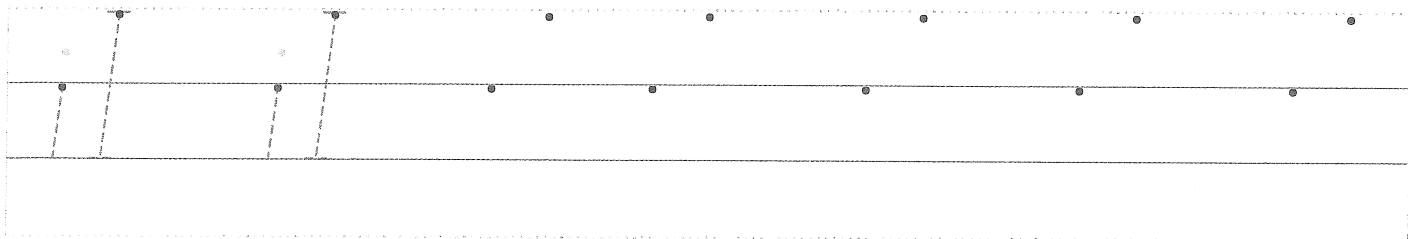
dig dig

Tracing practice for lowercase 'i' and uppercase 'I' on a three-line grid.

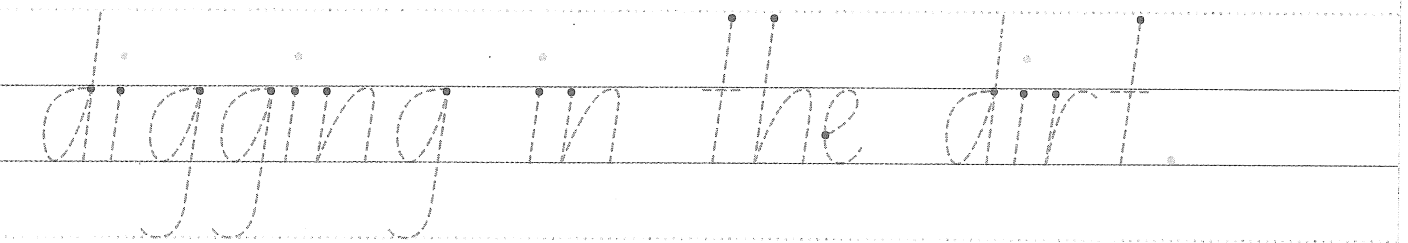
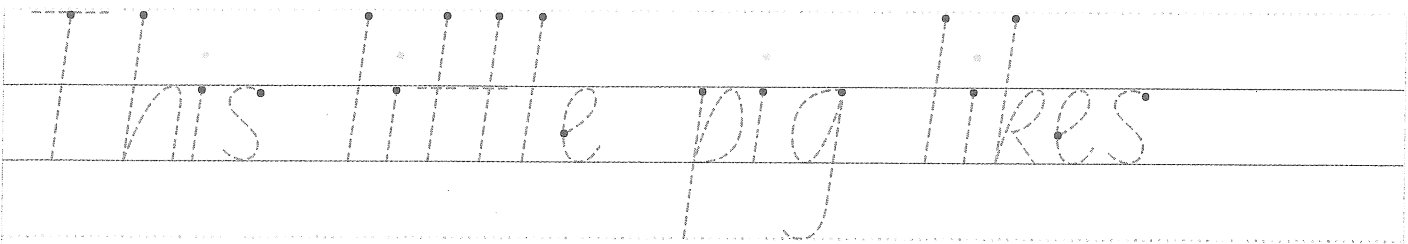


Tracing practice for lowercase 'i' and uppercase 'I' on a three-line grid.

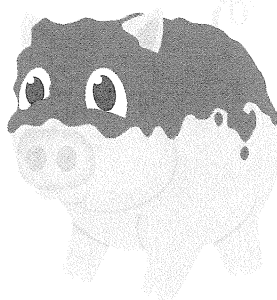
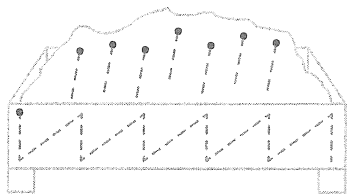
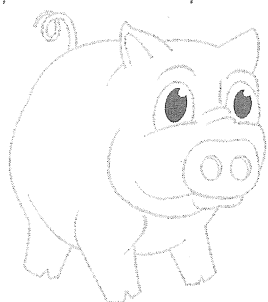
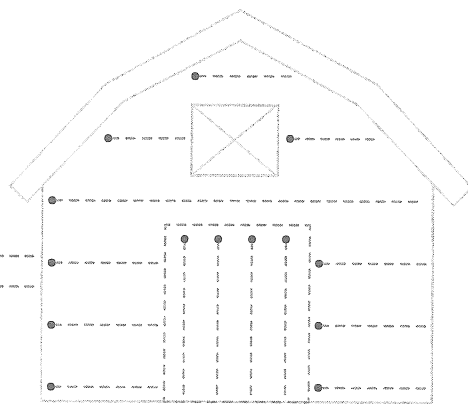




Trace and copy the sentence.



# Inky Pinky Pig



# Numbers to 20 – location and order

1 Fill in the missing numbers.

1	○		○	11	○		○
	3		○		13		19
	○		8		14		○
	○	6	○		○	○	17

2 Say these counting numbers out loud. Are they in the right order? If not, put them in the right order. Say them again. Do they sound right now?

a

1	2	3	7	9	5	10	8	4	6
---	---	---	---	---	---	----	---	---	---

↑									
---	--	--	--	--	--	--	--	--	--

b Try these.

11	12	14	13	15	18	17	16	19	20
----	----	----	----	----	----	----	----	----	----

↑↑									
----	--	--	--	--	--	--	--	--	--